

# LAMP SHAPER

---



## FLOAT (TWO ARM WALL SCONCE )

The Float series is a functional and playful experiment. This series' features and details are very simple and beautiful. Its sleek elegance design includes curved arms that swing from side to side so you can get light where you need it. The Float series' blend of simple design and sculptural forms add to the minimalistic charm of this fixture.

---

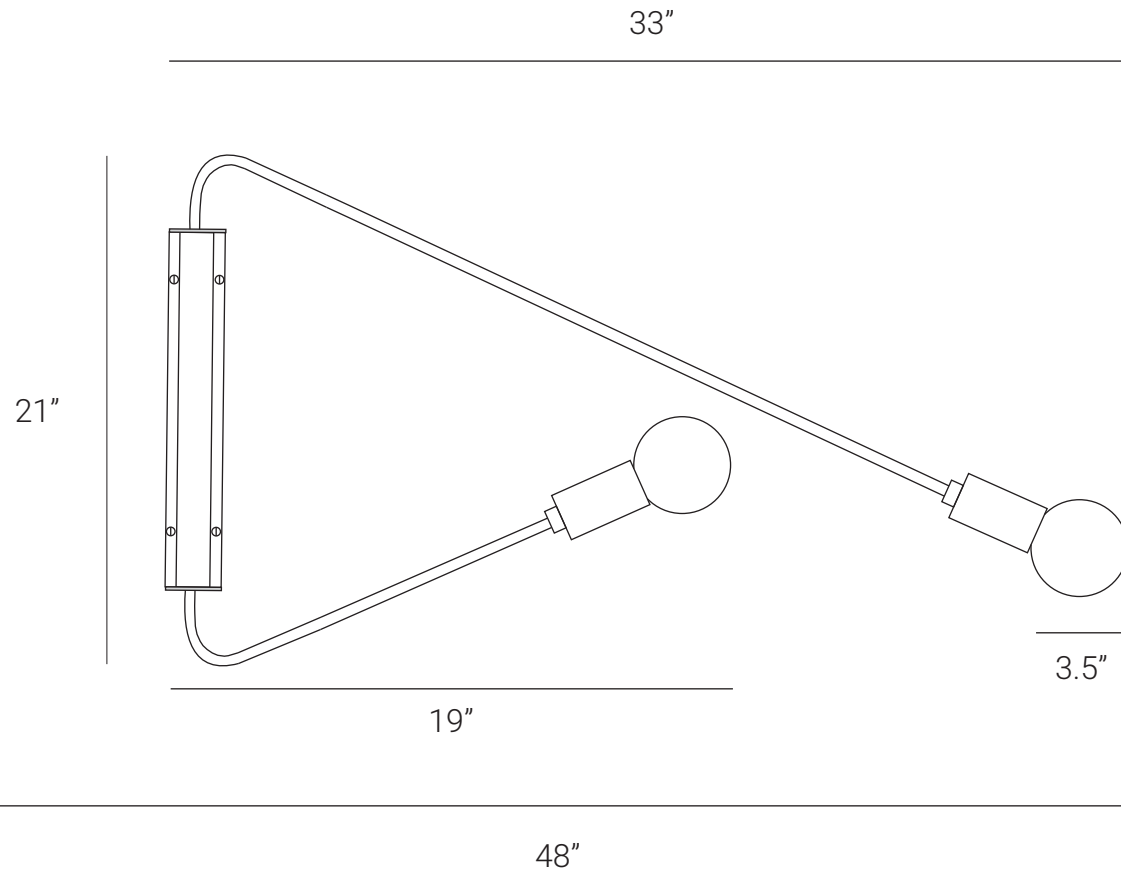
HANDMADE IN INDIA

[WWW.LAMPSHAPER.COM](http://WWW.LAMPSHAPER.COM)

[INFO@LAMPSHAPER.COM](mailto:INFO@LAMPSHAPER.COM)

# LAMP SHAPER

## PRODUCT SPECIFICATION



Series: FLOAT

Product: TWO ARM WALL SCONCE

Design: 2022

Product Code: LSFTAWS

Product Weight: 4KG

Dimension: H-21", W-33", D-48"

Led Bulb Illumination: SOCKET BASE-E27,  
(4)W LED LIGHT, COLOR TEMPERATURE, (3000)  
KELVIN, VOLTAGE (220-240), CE APPROVED

DIMMABLE : NO

Material: BRASS

Finishes: BRUSHED BRASS, RAW BRASS, AGED  
BRASS, BURNT BRASS

Lead Time Approx: 5-6 WEEKS

FINISHED & ASSEMBLED BY HAND

ALL PIECES MADE TO ORDER

CUSTOMIZATION AVAILABLE

50% DEPOSIT IT REQUIRED

DUE BALANCE PRIOR TO SHIPPING