

LAMP SHAPER

Mottle (Pendant Three)

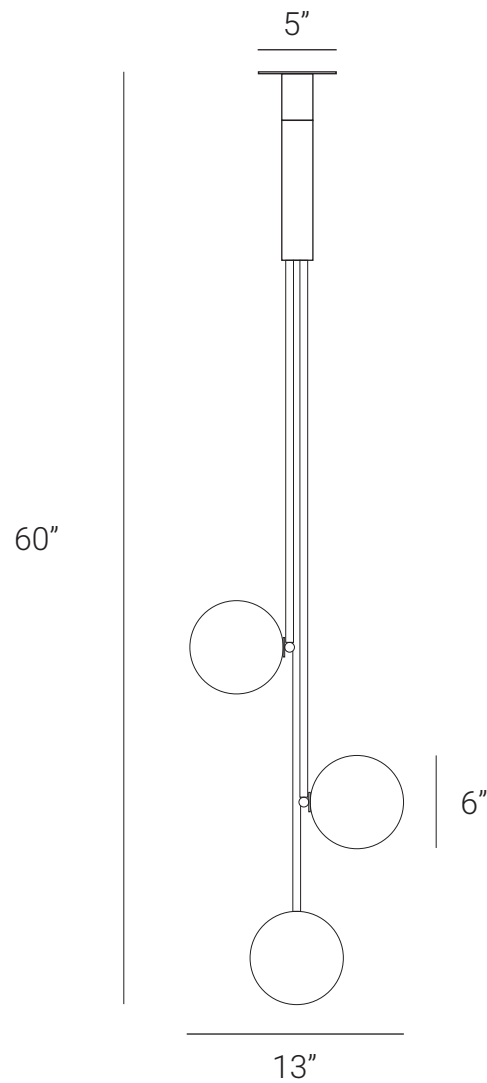


The Mottle is a stylish wall and ceiling mount which emits a beautiful diffused light. The Mottle series is a timeless and simple contemporary design. With a focus on simplicity and details or quality in the use of materials brass and glass and comes in three size options to suit your space.

HANDMADE IN INDIA

LAMP SHAPER

PRODUCT SPECIFICATION



Series: MOTTLE

Product: MOTTLE PENDANT THREE

Design: 2024

Product Code: LSMPT

Product Weight: 5KG

Dimension: H-60", W-13", D-13"

Bulb Illumination: SOCKET BASE-G9,
(5)W LED COLOR TEMPERATURE, (2700-3000)
KELVIN, VOLTAGE (220-240), CE APPROVED

Dimmable: NO

Material: BRASS & GLASS

Finishes: BRUSHED BRASS, RAW BRASS, AGED
BRASS & BURNT BRASS

Lead Time Approx: 5-6 WEEKS

FINISHED & ASSEMBLED BY HAND

ALL PIECES MADE TO ORDER

CUSTOMIZATION AVAILABLE

50% DEPOSIT IT REQUIRED

DUE BALANCE PRIOR TO SHIPPING