

LAMP SHAPER

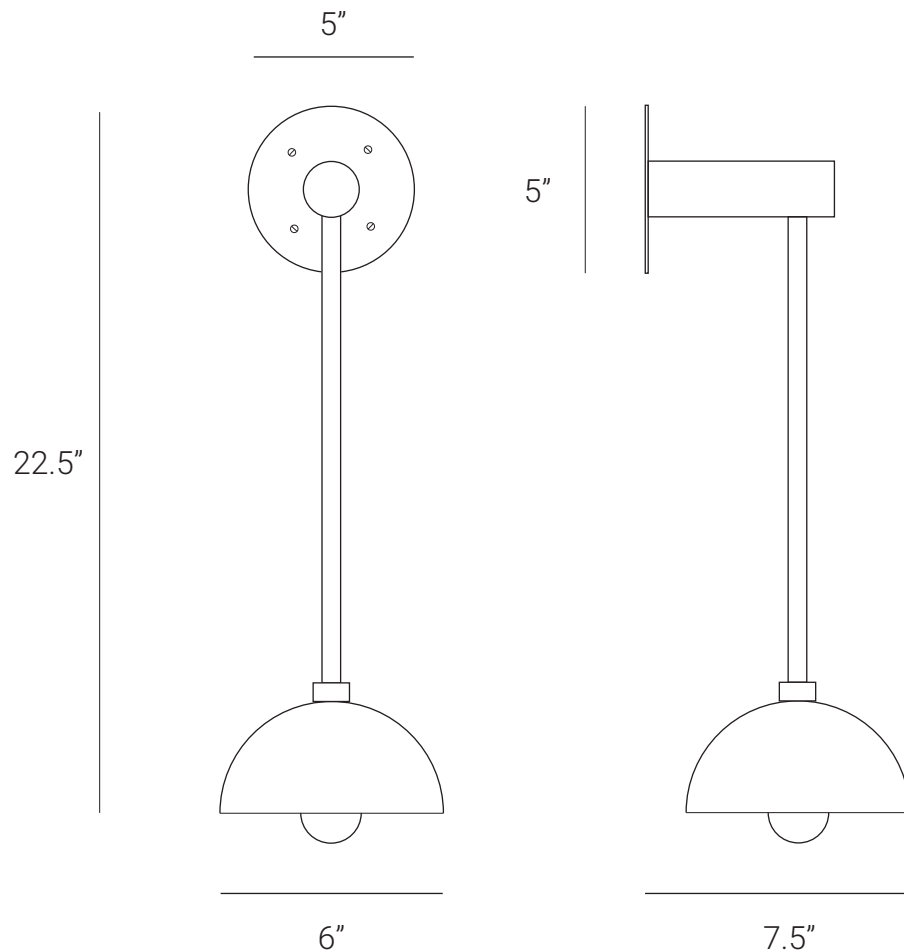
DOT (Wall Sconce Long Brass Dome)



The dot series is inspired by linear earrings and this series is marvelous and simple. We have used geometry forms in this series, like cylinder, line and round shape and all shapes assemble with a linear line and create unique beautiful sculpture forms. We have used the old and modern technique in this series. We have created two structures of this series, a smaller one and another longer one.

LAMP SHAPER

PRODUCT SPECIFICATION



Series: DOT

Product: WALL SCONCE

Design: 2021

Product Code: LSDWSLBD

Product Weight: 2KG

Dimension: H-22.5", W-7.5", D-6"

Led Bulb Illumination: SOCKET BASE-E27,
40W INCANDESCENT, WARM WHITE
VOLTAGE (220-240), CE APPROVED

Dimmable: YES

Material: BRASS

Finishes: BRUSHED BRASS, RAW BRASS, AGED
BRASS, BURNT BRASS

Lead Time Approx: 5-6 WEEKS

FINISHED & ASSEMBLED BY HAND

ALL PIECES MADE TO ORDER

CUSTOMIZATION AVAILABLE

50% DEPOSIT IT REQUIRED

DUE BALANCE PRIOR SHIPPING