

# LAMP SHAPER

---

## CONE (WALL SCONCE ONE)



Light up your space with stunning Cone Wall Sconce Designed by Lamp Shaper studio. Each fixture is handcrafted with great attention to details and using the highest quality brass materials. The Cone Wall Sconce illuminates in modern and contemporary style. The Cone Wall Sconce thrives in any indoor scene.

---

HANDMADE IN INDIA

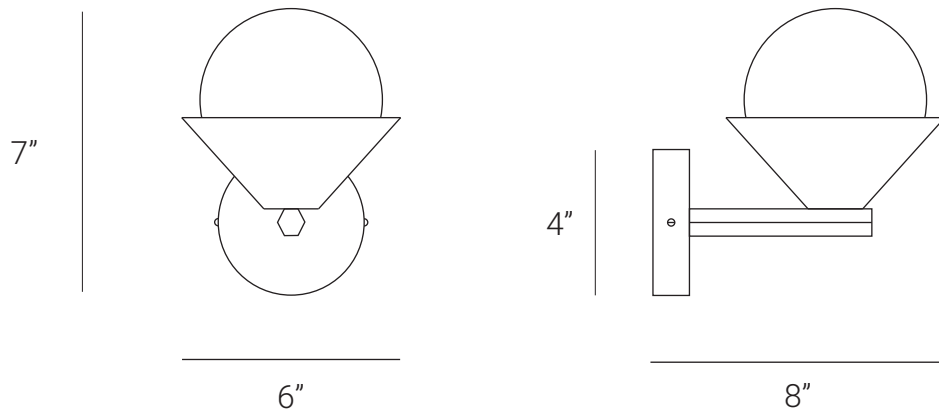
[WWW.LAMPSHAPER.COM](http://WWW.LAMPSHAPER.COM)

[INFO@LAMPSHAPER.COM](mailto:INFO@LAMPSHAPER.COM)

# LAMP SHAPER

---

## PRODUCT SPECIFICATION



Series: CONE

Product: CONE WALL SCONCE ONE

Design: 2023

Product Code: LSCWSO

Product Weight: 0.5KG

Dimension: H-7", W-8", D-6"

Led Bulb Illumination: SOCKET BASE-G9,  
(3) W LED COLOR TEMPERATURE, (2700-3000)  
KELVIN, VOLTAGE (220-240), CE APPROVED

Dimmable : NO

Material: BRASS & GLASS

Finishes: BRUSHED BRASS, RAW BRASS, AGED  
BRASS, BURNT BRASS

Lead Time Approx: 5-6 WEEKS

FINISHED & ASSEMBLED BY HAND

ALL PIECES MADE TO ORDER

CUSTOMIZATION AVAILABLE

50% DEPOSIT IT REQUIRED

DUE BALANCE PRIOR TO SHIPPING